



CUSTOMIZATION/EMBROIDERY FORM



Customer Name: _____ Telephone # _____

Street Address: _____

City: _____ State _____ Zip Code _____

PO # _____ Item # _____ Quantity _____

1. CUSTOMIZED LOGO

Digitizing Artwork on File Update Artwork

Application/embroidery charges per logo per item dependent upon stitch count - see back for placement.

Custom Logo Embroidery - Up to 21,000 stitches per logo per item

Logo Name: _____ Placement: _____

We require a high resolution file for digitizing. *Email your logo (CDR, PDF, EPS, AI) to RITZFoodservice@JohnRitz.com

2. LINE / TEXT EMBROIDERY

Line/Text Embroidery (typically name/title) *Industry text size is .47 unless otherwise requested

Circle: Left Chest/Right Chest

(as worn)

Limited to 20 characters including spaces

Font #

Thread Color

Up To Three Lines

THREAD COLORS:



FONT CHOICES:



3. FLAGS

Embroidered FLAGS:

- USA
- Canada
- France
- Mexico
- Ireland
- England
- Italy
- Germany

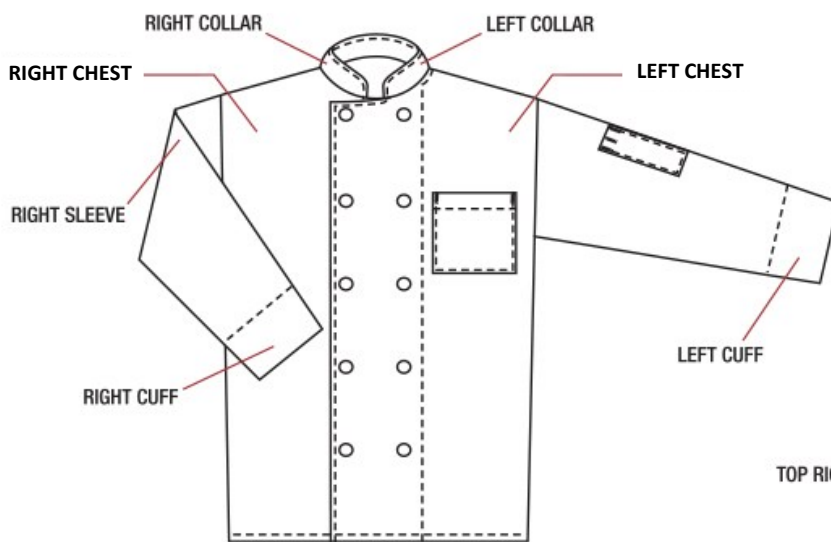
Flag Placement: _____

(Left Chest, Right Chest, Left Sleeve, Right Sleeve, Left Cuff, Right Cuff, Left Collar, Right Collar, Back of Collar)

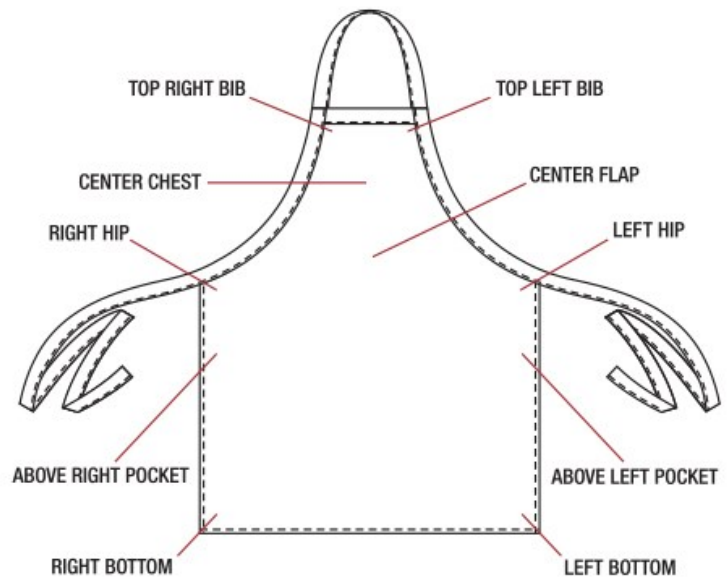
OTHER: AFC Members' officially licensed logo of the American Culinary Federation



4. PLACEMENT OPTIONS



Placement for embroidery, left chest is the heart side.



NOTES: _____

John Ritzenthaler Company

40 Portland Rd. West Conshohocken, PA USA · Phone: (610) 834-7280
www.chefrevival.com · www.JohnRitz.com · RITZFoodservice@JohnRitz.com